



Warranty Program

Congratulations on your decision to install the world's finest high performance, high efficiency shower. It is likely to be the last shower fixture you will ever have to buy! ETL is pleased to provide you with the ultimate product warranty.

LIMITED LIFETIME PERFORMANCE/APPEARANCE WARRANTY

Oxygenics® showerheads are lifetime warranted never to clog or fail to operate properly. In the event of clogging or failure ETL will, at its election, repair, replace or make appropriate adjustment where ETL inspection discloses any defects occurring in normal usage. Defects or damage caused by use of other than genuine ETL parts are not covered by this warranty.

Oxygenics® showerheads are also lifetime warranted to maintain a "forever new" appearance. In areas with marginal water quality, unsightly lime scaling, mineral deposits and wear from repeated cleaning can eventually mar the face of the shower fixtures. To insure that the appearance of your Oxygenics® showerhead stays forever new, ETL will at its election, repair, replace or make appropriate adjustment to ensure the appearance of any Oxygenics® showerhead that becomes unsightly.

CONDITIONS

This warranty does not cover loss or damage of any kind resulting directly or indirectly from alteration, misuse or abuse of the product, or from its installation or removal (including scratching). ETL's liability under this warranty shall not in any case exceed the contract price for the product. ETL reserves the right to make changes and improvements in its products without incurring any obligation to similarly alter products previously purchased. No one is authorized to assume any other liability for ETL in connection with this product. This warranty gives you specific rights. You may have other rights under state law. This warranty is valid only within the United States. This warranty is in lieu of all other warranties, expressed or implied and is subject to change at any time.

SUBMITTING A WARRANTY CLAIM

To obtain warranty service first contact ETL by writing to the address below or by calling 209-529-3546 within the USA. Proof of purchase from the original consumer (original sales receipt required, copies will not be accepted) must accompany all warranty claims.

Please do NOT return your product without first contacting ETL to obtain a Return Authorization Number and further instruction (shipping and handling fees will apply). Any product returned without first contacting ETL will not be accepted or returned. A Return Authorization Number is required for all warranty claims and must be obtained PRIOR to submission.

See Reverse Side for Installation Instructions

If you purchased an Oxygenics® showerhead equipped with a "Comfort Control Lever" See reverse side of this Warranty for suggested Comfort and Performance Information.

Note: Not all Oxygenics® showerheads are equipped with Comfort Control.



ETL® 2351 Tenaya Drive Modesto, CA 95354
P: 209-529-3546 or 800-344-3242 www.oxygenics.com



Warranty Program

Congratulations on your decision to install the world's finest high performance, high efficiency shower. It is likely to be the last shower fixture you will ever have to buy! ETL is pleased to provide you with the ultimate product warranty.

LIMITED LIFETIME PERFORMANCE/APPEARANCE WARRANTY

Oxygenics® showerheads are lifetime warranted never to clog or fail to operate properly. In the event of clogging or failure ETL will, at its election, repair, replace or make appropriate adjustment where ETL inspection discloses any defects occurring in normal usage. Defects or damage caused by use of other than genuine ETL parts are not covered by this warranty.

Oxygenics® showerheads are also lifetime warranted to maintain a "forever new" appearance. In areas with marginal water quality, unsightly lime scaling, mineral deposits and wear from repeated cleaning can eventually mar the face of the shower fixtures. To insure that the appearance of your Oxygenics® showerhead stays forever new, ETL will at its election, repair, replace or make appropriate adjustment to ensure the appearance of any Oxygenics® showerhead that becomes unsightly.

CONDITIONS

This warranty does not cover loss or damage of any kind resulting directly or indirectly from alteration, misuse or abuse of the product, or from its installation or removal (including scratching). ETL's liability under this warranty shall not in any case exceed the contract price for the product. ETL reserves the right to make changes and improvements in its products without incurring any obligation to similarly alter products previously purchased. No one is authorized to assume any other liability for ETL in connection with this product. This warranty gives you specific rights. You may have other rights under state law. This warranty is valid only within the United States. This warranty is in lieu of all other warranties, expressed or implied and is subject to change at any time.

SUBMITTING A WARRANTY CLAIM

To obtain warranty service first contact ETL by writing to the address below or by calling 209-529-3546 within the USA. Proof of purchase from the original consumer (original sales receipt required, copies will not be accepted) must accompany all warranty claims.

Please do NOT return your product without first contacting ETL to obtain a Return Authorization Number and further instruction (shipping and handling fees will apply). Any product returned without first contacting ETL will not be accepted or returned. A Return Authorization Number is required for all warranty claims and must be obtained PRIOR to submission.

See Reverse Side for Installation Instructions

If you purchased an Oxygenics® showerhead equipped with a "Comfort Control Lever" See reverse side of this Warranty for suggested Comfort and Performance Information.

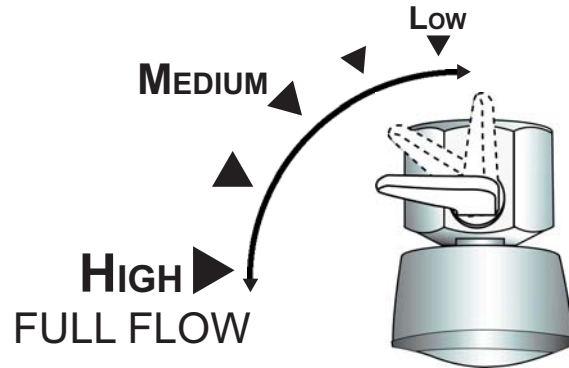
Note: Not all Oxygenics® showerheads are equipped with Comfort Control.



ETL® 2351 Tenaya Drive Modesto, CA 95354
P: 209-529-3546 or 800-344-3242 www.oxygenics.com

FINE TUNE FOR COMFORT

Invigorating & Brisk To Soft & Sensuous



The Choice is Yours

ETL's Exclusive comfort control (fine tuner) lever works as a pressure compensating valve. This allows you to enjoy your shower in water pressures ranging from 20 to 120 P.S.I. Ideal comfort and performance level is 40 to 80 P.S.I.

The comfort control lever is **NOT** a shut off valve. When turned to the lowest position, it will continue to flow at 1/2 to 1-1/2 GPM. **This is a safety feature.**

INSTALLATION INSTRUCTIONS

STEP 1 - REMOVE OLD SHOWERHEAD - Cover shower arm with a cloth, then affix vice grip pliers securely to the shower arm approximately one inch above the showerhead attachment nut. Now fit a crescent wrench to the showerhead attachment nut. Now maintain a firm grip on the vice grip pliers and turn the crescent wrench slowly in a counterclockwise direction, thus removing the existing showerhead.

STEP 2 - CLEAN EXISTING SHOWER ARM - Using a brush, thoroughly clean the threaded area of the shower arm.

STEP 3 - FLUSH OUT SHOWER PIPE - After the old showerhead is removed, turn on the water and allow to run for 5 to 10 seconds. This will flush out any residue that might have come loose inside the pipe.

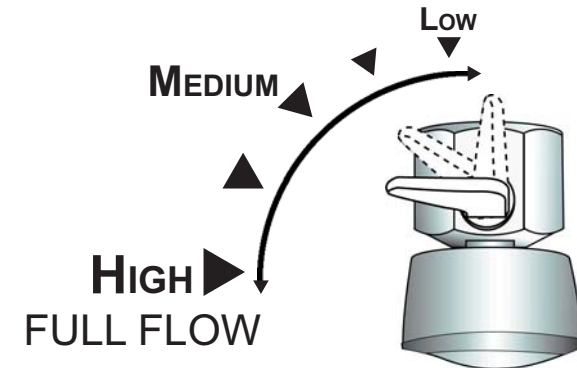
STEP 4 - PREPARE SHOWER ARM - Wrap teflon tape 1-1/2 to 3 turns clockwise around the threaded tip of the shower arm.

STEP 5 - INSTALL NEW SHOWERHEAD - In a clockwise direction, screw new showerhead onto the taped portion of the shower arm. Place cloth inside the crescent wrench grip area and tighten slightly.



FINE TUNE FOR COMFORT

Invigorating & Brisk To Soft & Sensuous



The Choice is Yours

ETL's Exclusive comfort control (fine tuner) lever works as a pressure compensating valve. This allows you to enjoy your shower in water pressures ranging from 20 to 120 P.S.I. Ideal comfort and performance level is 40 to 80 P.S.I.

The comfort control lever is **NOT** a shut off valve. When turned to the lowest position, it will continue to flow at 1/2 to 1-1/2 GPM. **This is a safety feature.**

INSTALLATION INSTRUCTIONS

STEP 1 - REMOVE OLD SHOWERHEAD - Cover shower arm with a cloth, then affix vice grip pliers securely to the shower arm approximately one inch above the showerhead attachment nut. Now fit a crescent wrench to the showerhead attachment nut. Now maintain a firm grip on the vice grip pliers and turn the crescent wrench slowly in a counterclockwise direction, thus removing the existing showerhead.

STEP 2 - CLEAN EXISTING SHOWER ARM - Using a brush, thoroughly clean the threaded area of the shower arm.

STEP 3 - FLUSH OUT SHOWER PIPE - After the old showerhead is removed, turn on the water and allow to run for 5 to 10 seconds. This will flush out any residue that might have come loose inside the pipe.

STEP 4 - PREPARE SHOWER ARM - Wrap teflon tape 1-1/2 to 3 turns clockwise around the threaded tip of the shower arm.

STEP 5 - INSTALL NEW SHOWERHEAD - In a clockwise direction, screw new showerhead onto the taped portion of the shower arm. Place cloth inside the crescent wrench grip area and tighten slightly.

