

Non-Fused Air Conditioning Disconnects



Features

- Ample Wiring Space
- Rugged Design
- Numerous Knockouts
- Raised Mounting Embosses
- Copper Conductors
- Pullout Switch
- Removable Door
- Meets National Electrical Code® Requirements

Benefits

- The larger enclosure allows for ample wiring space.
- Manufactured with powder coated G90 galvanized steel for fade, scratch and corrosion resistance.
- All (6) knockouts are easy to remove. The sidewall knockouts provide access from the sides of the device. Every knockout has 1/2", 3/4" and 1" provisions.
- (4) Raised mounting embosses keep the unit away from the wall, preventing dirt build-up. The upper mounting hole is shaped to be used as a hanger.
- Copper current carrying part allows for a cooler, longer lasting operation.
- The pullout switch design allows you to safely and easily de-energize the load terminals.
- The easily removable door makes it possible to wire the device with absolutely no interference.
- Siemens air conditioning disconnects provide the ideal means to comply to articles 440-14 and 110-3(b) of the 1999 National Electrical Code®.

UL Listed, NEMA Type 3R Enclosure

240 Volts

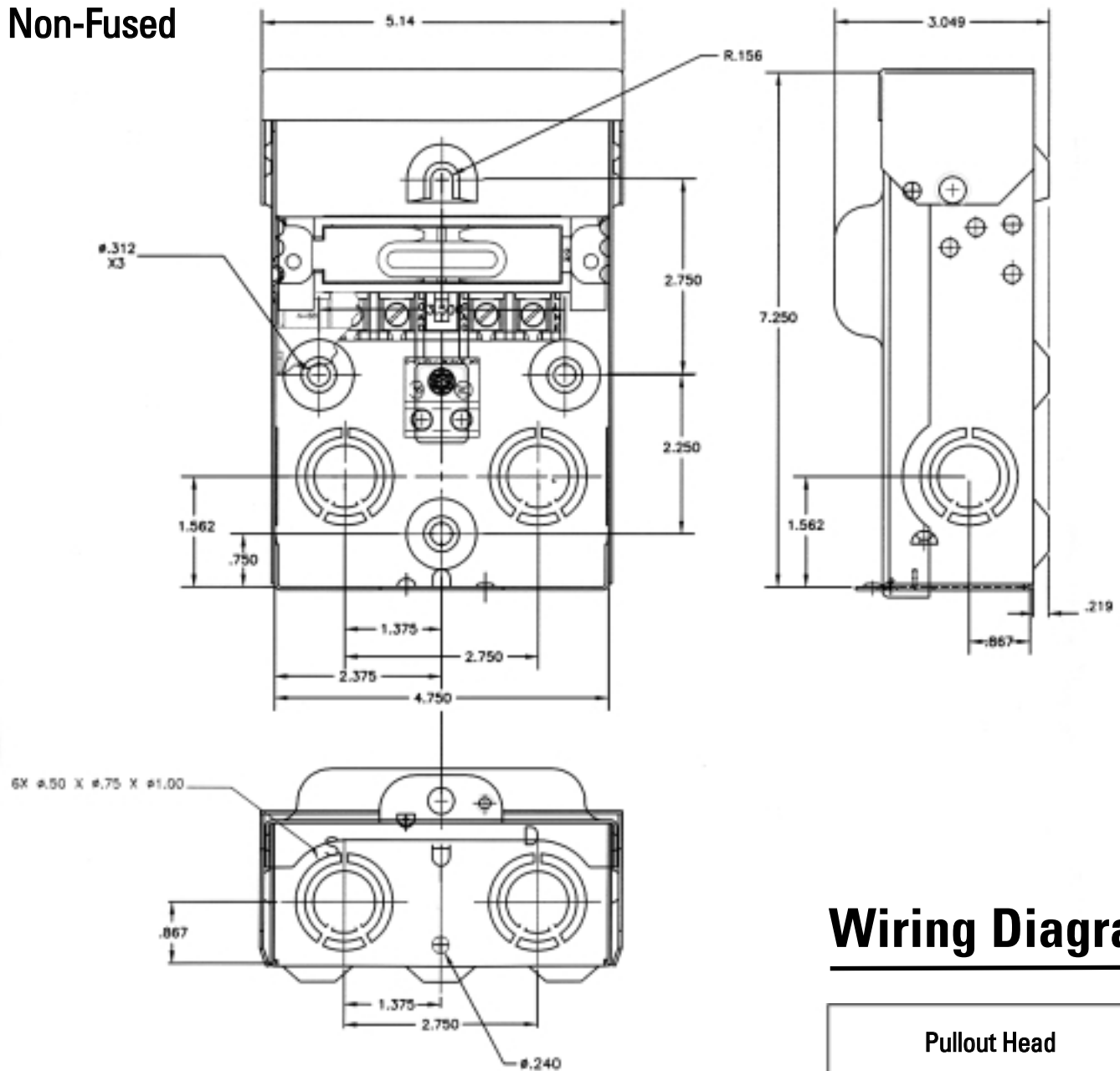
Catalog Number	Ampere Rating	Maximum Horsepower	Disconnect Type	Std. Pkg.
WN2060	60	10	Non-Fusible Pullout	6

® National Electrical Code is a registered trademark of the National Fire Protection Association.

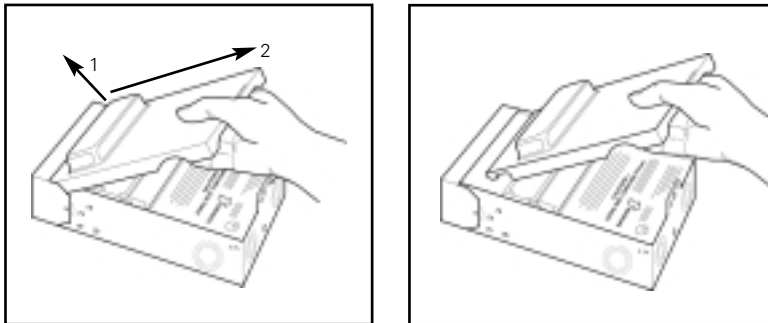
® UL is a registered trademark of Underwriters Laboratories, Inc.

Dimensions (inches)

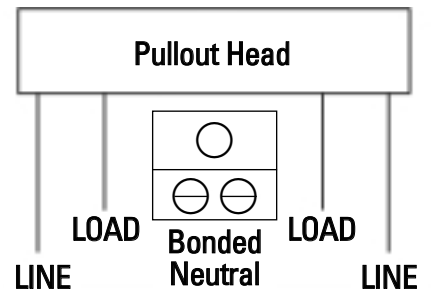
Non-Fused



Removable Door



Wiring Diagram



Connector	Copper		Aluminum	
	Sol.	Str.	Sol.	Str.
Line	14-8	14-2	12-8	12-3
Load	14-8	14-2	12-8	12-3
Bonded Neutral	14-8	14-3	12-8	12-3